

ROBOTICS

Product manual, spare parts

IRBT 4004/6004/7004



Trace back information:
Workspace 23C version a13
Checked in 2023-09-29
Skribenta version 5.5.019

Product manual, spare parts

IRBT 4004

IRBT 6004

IRBT 7004

IRC5

Document ID: 3HAC042864-001

Revision: T

The information in this manual is subject to change without notice and should not be construed as a commitment by ABB. ABB assumes no responsibility for any errors that may appear in this manual.

Except as may be expressly stated anywhere in this manual, nothing herein shall be construed as any kind of guarantee or warranty by ABB for losses, damage to persons or property, fitness for a specific purpose or the like.

In no event shall ABB be liable for incidental or consequential damages arising from use of this manual and products described herein.

This manual and parts thereof must not be reproduced or copied without ABB's written permission.

Keep for future reference.

Additional copies of this manual may be obtained from ABB.

Original instructions.

© Copyright 2006-2023 ABB. All rights reserved.
Specifications subject to change without notice.

Table of contents

Overview of this manual	7
Product documentation	10
1 Drive unit	13
2 Runner block and guide rail	15
3 Gear rack	17
4 Mechanical stop material set	19
5 Serial measurement unit	21
6 Covers	23
7 Cable chain Brevetti	25
8 Cable chain Murrplastik	27
9 Cable tray for cable chain Murrplastik	31
10 Automatic lubrication system	33
10.1 Lubrication system, local adaption, including oil brush	33
10.2 Lubrication system, central, including control unit for grease pump	35
10.3 Lubrication system, hydraulic hoses	36
11 Cabling	37
11.1 Flexible cables	37
11.2 Fixed cables	41

This page is intentionally left blank

Overview of this manual

About this manual

This manual contains spare parts for:

- IRBT 4004/6004/7004

Usage

This manual shall be used as a complement to the Product manual during:

- maintenance work
- repair work.

Who should read this manual?

This manual is intended for:

- maintenance personnel
- repair personnel.

Prerequisites

Maintenance/repair/installation personnel working with an ABB Robot must:

- be trained by ABB and have the required knowledge of mechanical and electrical installation/repair/maintenance work.

References

Reference	Document ID
<i>Product manual - IRBT 4004/6004/7004</i>	3HAC028506-001
<i>Circuit diagram - IRBT IRB 6600/7600</i>	3HEA803013-001
<i>Circuit diagram - IRBT IRB 4400/4400F</i>	3HEA803014-001
<i>Circuit diagram - IRBT IRB 4600</i>	3HAC033657-001

Revisions

Revision	Description
-	<p>This is the first edition of the Spare part manual for IRBT 4004/6004/7004. The spare parts has historically been presented in the Product manual, but is now separated into this Spare part manual.</p> <p>Changes made in this manual, in regard to the previous Spare part chapter in the Product manual:</p> <ul style="list-style-type: none"> • Part number for cable chain part is corrected and plug is added to the spare part list and figure, see Cable chain Brevetti on page 25. • Flexible cables for position switches on IRB 6640 are added to the table, see IRB Position switch cables, flexible on page 38. • Part number for grease pump is corrected, see Lubrication system, central, including control unit for grease pump on page 35. • Part number for gearbox is added see Drive unit on page 13.
A	<p>Changes made in this revision:</p> <ul style="list-style-type: none"> • Added runner block and guide rails from INA, see Runner block and guide rail on page 15.

Continues on next page

Revision	Description
B	<p>Changes made in this revision:</p> <ul style="list-style-type: none"> Part number for printed circuit board is added, see Lubrication system, central, including control unit for grease pump on page 35. Added new motor (type A) in spare part list, see Drive unit on page 13.
C	<p>Changes made in this revision:</p> <ul style="list-style-type: none"> Added a note about re-labeling and keying ordered signal cables, see IRBT Signal cables on page 41. Added lubrication system local adaption, see Lubrication system, local adaption, including oil brush on page 33. Added lubrication system central, see Lubrication system, central, including control unit for grease pump on page 35. Added separate gearbox as spare part, see Drive unit on page 13. Added cable chain Murrplastik as spare part, see Cable chain Murrplastik on page 27 and Cable tray for cable chain Murrplastik on page 31.
D	<p>Changes made in this revision:</p> <ul style="list-style-type: none"> Incorrect spare part number is deleted. Spare part number for SMB unit is added.
E	<p>Changes made in this revision:</p> <ul style="list-style-type: none"> New spar part numbers added for TMA2B. Spare parts with color Graphite White are added to the spare part lists.
F	<p>Changes made in this revision:</p> <ul style="list-style-type: none"> New spare part "Fuse" added for central lubrication. cable tray spare part list changed for Murrplastic cable chain. Spare parts updated generally due to information from after sales.
G	<p>Published in release R16.2. The following updates are done in this revision:</p> <ul style="list-style-type: none"> Added spare part numbers for hydraulic hoses.
H	<p>Published in release R17.1. The following updates are made in this revision:</p> <ul style="list-style-type: none"> Note about motor removed from section <i>Drive unit</i>.
J	<p>Published in release R17.2. The following updates are made in this revision:</p> <ul style="list-style-type: none"> Updated spare part numbers for Murrplastik cable tray aluminium profiles, brackets and clamping profile, plastic.
K	<p>Published in release R18.1. The following updates are made in this revision:</p> <ul style="list-style-type: none"> Updated spare part number for the drive unit gear wheel protection, lower. Added spare part numbers for screw covers on guide rail.
L	<p>Published in release 19B. The following updates are made in this revision:</p> <ul style="list-style-type: none"> Changed dimensions for INA guiderails (is 105 mm, was 100 mm) New article numbers for manipulator cables in section IRBT Signal cables on page 41.
M	<p>Published in release 19D. The following updates are made in this revision:</p> <ul style="list-style-type: none"> Added cable for functional ground and an updated customer connector plate that belongs to the functional ground.
N	<p>Published in release 20A. The following updates are made in this revision:</p> <ul style="list-style-type: none"> Added a 17 m IRB power cable to the flexible cables spare part list.
P	<p>Published in release 21A. The following updates are made in this revision:</p> <ul style="list-style-type: none"> Cables 3HEA801331 deleted from IRB / IRBT Signal cables, flexible table. New article numbers for <i>IRBT Power cables, flexible</i>

Revision	Description
Q	Published in release 21C. The following updates are made in this revision: <ul style="list-style-type: none"> • New article number for customer connection plate. 3HXD1000-621 is now 3HAC079958-001, and a bracket for Profinet with screws are added. See Customer connection plate • Dimension/Note for Drive units updated, see Drive unit.
R	Published in release 22A. The following updates are made in this revision: <ul style="list-style-type: none"> • Minor corrections.
S	Published in release 22C. The following updates are made in this revision: <ul style="list-style-type: none"> • Added grease to the central lubrication system spare part list.
T	Published in release 23C. The following updates are made in this revision: <ul style="list-style-type: none"> • Updated the article number and the illustration of cable chain brevetti. • Updated the table of flexible lengths for IRBT Power cables.

Product documentation

Categories for user documentation from ABB Robotics

The user documentation from ABB Robotics is divided into a number of categories. This listing is based on the type of information in the documents, regardless of whether the products are standard or optional.



Tip

All documents can be found via myABB Business Portal, www.abb.com/myABB.

Product manuals

Manipulators, controllers, DressPack, and most other hardware is delivered with a **Product manual** that generally contains:

- Safety information.
- Installation and commissioning (descriptions of mechanical installation or electrical connections).
- Maintenance (descriptions of all required preventive maintenance procedures including intervals and expected life time of parts).
- Repair (descriptions of all recommended repair procedures including spare parts).
- Calibration.
- Troubleshooting.
- Decommissioning.
- Reference information (safety standards, unit conversions, screw joints, lists of tools).
- Spare parts list with corresponding figures (or references to separate spare parts lists).
- References to circuit diagrams.

Technical reference manuals

The technical reference manuals describe reference information for robotics products, for example lubrication, the RAPID language, and system parameters.

Application manuals

Specific applications (for example software or hardware options) are described in **Application manuals**. An application manual can describe one or several applications.

An application manual generally contains information about:

- The purpose of the application (what it does and when it is useful).
- What is included (for example cables, I/O boards, RAPID instructions, system parameters, software).
- How to install included or required hardware.
- How to use the application.

Continues on next page

- Examples of how to use the application.

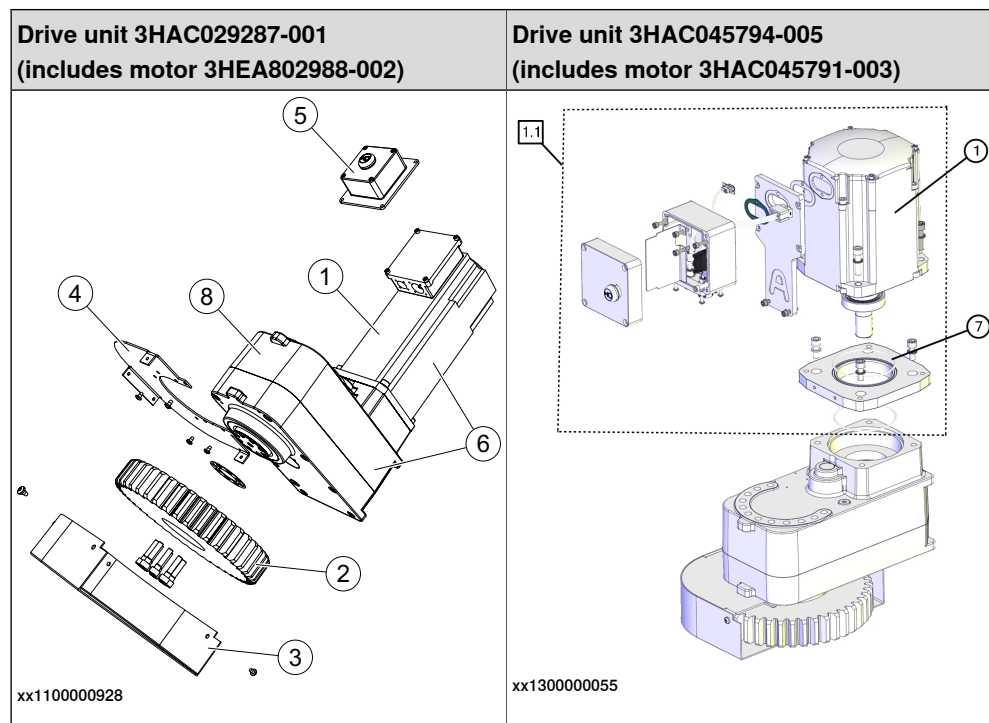
Operating manuals

The operating manuals describe hands-on handling of the products. The manuals are aimed at those having first-hand operational contact with the product, that is production cell operators, programmers, and troubleshooters.

This page is intentionally left blank

1 Drive unit

Illustration



Spare part list

Item	Qty	Part number	Description	Color	Dimension/Note
1	1	3HEA802988-002	AC motor TMA		Not Type A Motor.
		3HAC045791-003	AC motor TMA2		Type A Motor. ⁱ ⁱⁱ
		3HAC049857-002	AC motor TMA2B	Graphite White	Type A Motor. ⁱ ⁱⁱ
		3HAC049857-003	AC motor TMA2B	ABB Orange	Type A Motor. ⁱ ⁱⁱ
1.1		3HAC046327-001	AC motor TMA2 complete kit		Includes all necessary equipment required when replacing motor 3HEA802988-002 with motor 3HAC045791-003. ⁱ ⁱⁱ
-	1	3HAC046328-001	Adapter cable kit		Required when installing motor 3HAC045791-003 with power and signal cabling without bayonet fitting.
2	1	3HEA801668-001	Gear wheel IRBT 4004/6004/7004		
3	1	3HEA801942-001	Gear Wheel Protection, lower		
		3HAC050104-001	Gear Wheel Protection, lower	Graphite White	

Continues on next page

1 Drive unit

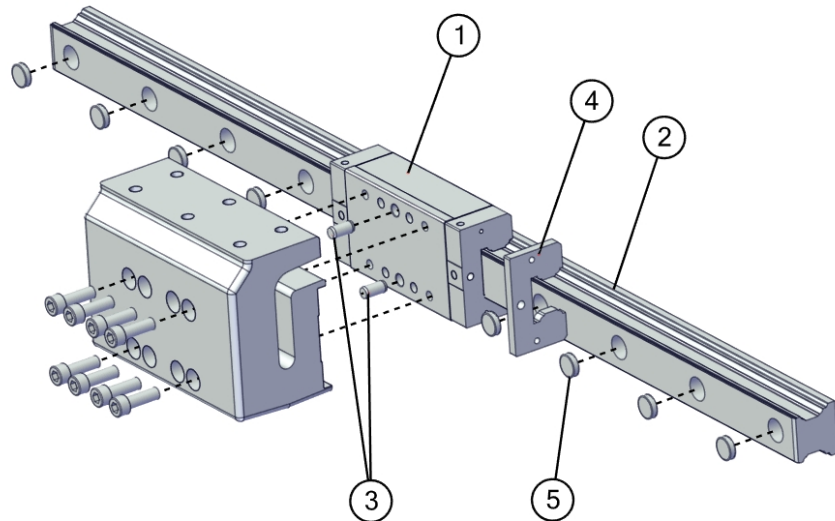
Continued

Item	Qty	Part number	Description	Color	Dimension/Note
4	1	3HEA801943-001	Gear Wheel Protection, upper		Mirrored
		3HAC051336-001	Gear Wheel Protection, upper	Graphite White	
		3HAC051336-002	Gear Wheel Protection, upper	ABB Orange	
		3HAC051337-001	Gear Wheel Protection, upper	Graphite White	Mirrored
		3HAC051337-002	Gear Wheel Protection, upper	ABB Orange	Mirrored
5	1	3HAC030110-001	BRB box for IRBT 4004/6004/7004		BRB Option
6	1	3HAC029287-001	Gearbox and motor TMA2		Includes motor 3HEA802988-002.
		3HAC045794-005	Gearbox and motor TMA2		Includes motor 3HAC045791-003.
		3HAC049849-004	Gearbox and motor TMA2B	Graphite White	Includes motor 3HAC049857-002.
		3HAC049849-005	Gearbox and motor TMA2B	ABB Orange	Includes motor 3HAC049857-003.
7	1	3HAB3772-107	O-ring		
8	1	3HAC029134-002	Gearbox TMA2		
		3HAC049856-004	Gearbox TMA2B	Graphite White	
		3HAC049856-005	Gearbox TMA2B	ABB Orange	

- i If using power and signal cabling without bayonet fitting the adapter cable kit 3HAC046328-001 must be installed.
- ii If changing motor from 3HEA802988-001 to Type A (3HAC045791-003) necessary software updates must be made, see *Product manual - IRBT 4004/6004/7004*. If the system contains an Optional Disk, please contact ABB.

2 Runner block and guide rail

Illustration - Runner block guide and rail



xx180000155

Spare part list

The guide rails and the runner blocks from the two sub-suppliers, INA and Bosch-Rexroth, are not compatible with each other.

Order the correct spare part, in regard to what is installed on the track motion. (Information available in Web Config via ABB.)

INA

Item	Quantity	Part number	Description	Dimension/Note
1	1	3HAC042192-001	Runner block (ball element) Size 45	
2		3HAC042178-003	Guide rail, Standard	Hole cc. 105 mm size 45 L=0.5 m
		3HAC042178-004	Guide rail, Foundry	Hole cc. 105 mm size 45 L=0.5 m
		3HAC042178-001	Guide rail, Standard	Hole cc. 105 mm size 45 L=1 m
		3HAC042178-002	Guide rail, Foundry	Hole cc. 105 mm size 45 L=1 m
3	2	9ABA107-56	Parallel pin	
4	-	Not used.	Not used.	
5	10	3HAC042178-005	Cover	

Continues on next page

2 Runner block and guide rail

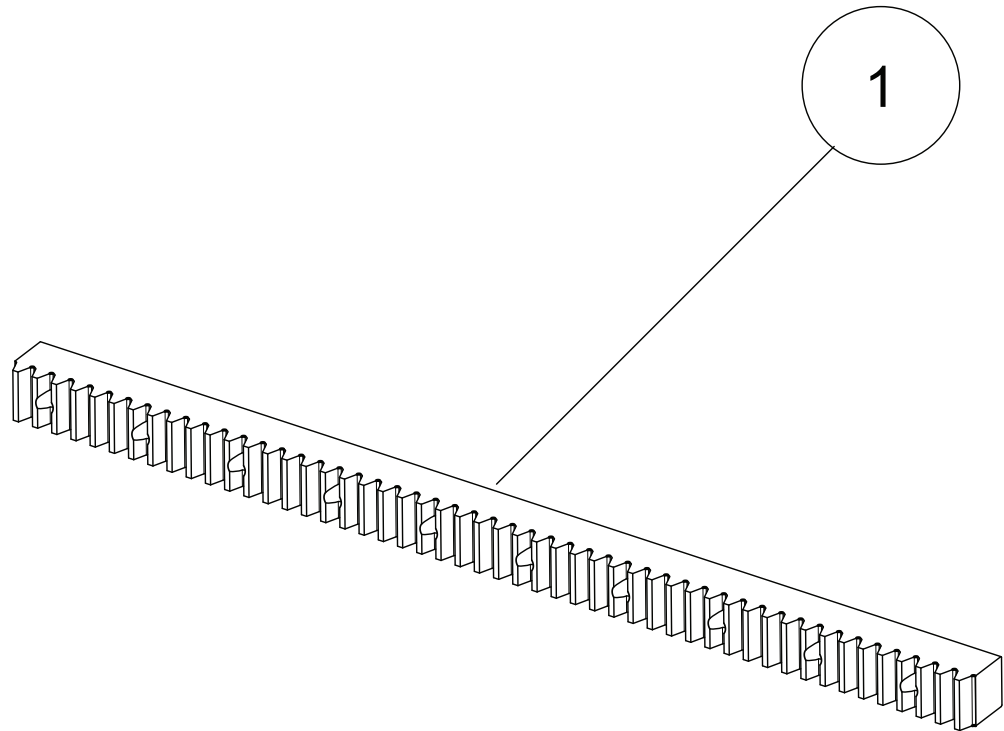
Continued

Bosch-Rexroth

Item	Quantity	Part number	Description	Dimension/Note
1	1	3HEA802931-001	Runner Block Size 45	Standard
		3HEA802959-001	Runner Block Size 45	Foundry
2		3HEA801632-001	Guide rail, Standard	Hole cc. 100 mm size 45 L=1 m
		3HEA801632-002	Guide rail, Standard	Hole cc. 100 mm size 45 L=1.5 m
		3HEA801632-003	Guide rail, Standard	Hole cc. 100 mm size 45 L=2 m
		3HEA801632-004	Guide rail, Foundry	Hole cc. 100 mm size 45 L=1 m
		3HEA801632-005	Guide rail, Foundry	Hole cc. 100 mm size 45 L=1.5 m
		3HEA801632-006	Guide rail, Foundry	Hole cc. 100 mm size 45 L=2 m
		3HAC031542-003	Guide rail, Standard	Hole cc. 105 mm size 45 L=0.5 m
		3HAC031542-001	Guide rail, Standard	Hole cc. 105 mm size 45 L=1 m
		3HAC031542-004	Guide rail, Foundry	Hole cc. 105 mm size 45 L=0.5 m
		3HAC031542-002	Guide rail, Foundry	Hole cc. 105 mm size 45 L=1 m
		3	2	9ABA107-56
4	1	3HEA801658-001	Sealing	size 45, Viton (Foundry option), outside mounted only
5	10	3HEA802820-001	Cover	

3 Gear rack

Illustration



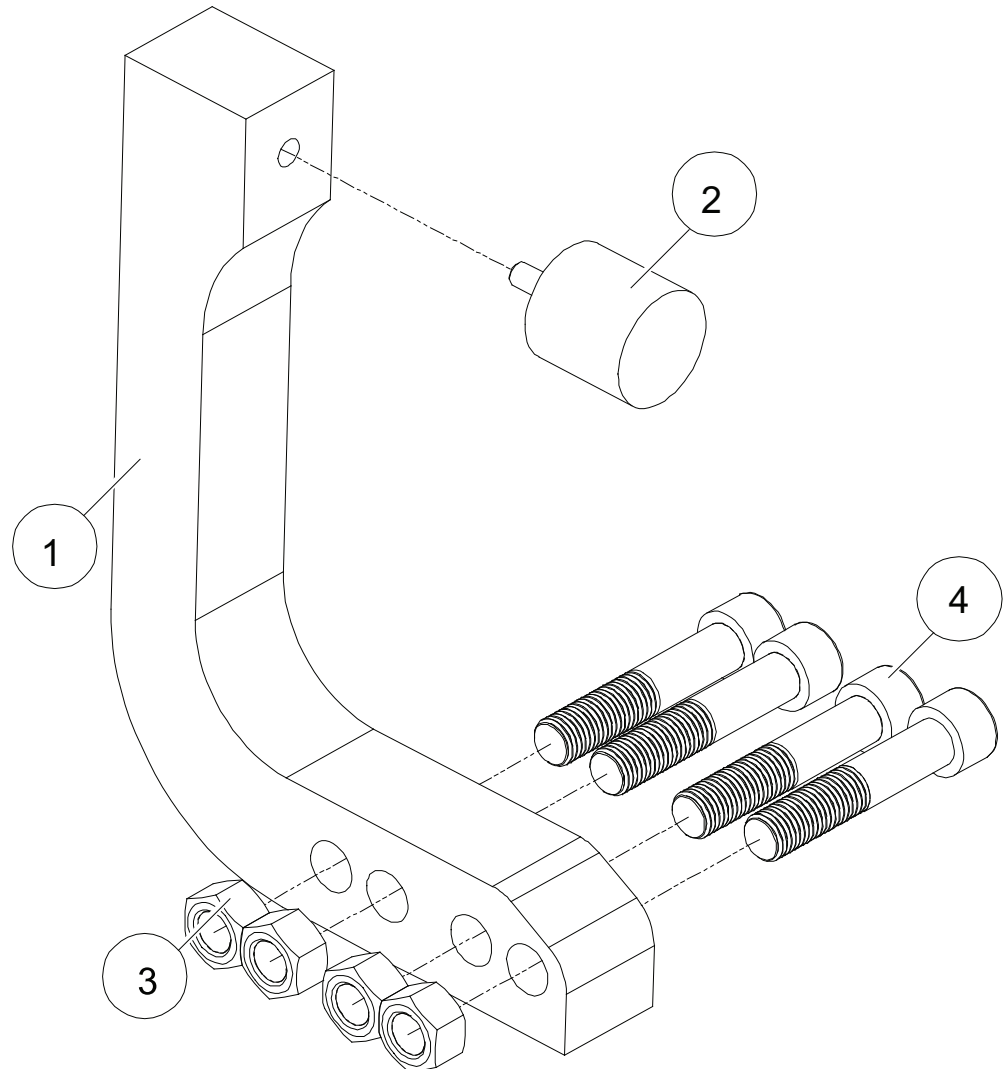
Spare part list

Item	Quantity	Part number	Description	Dimension/Note
1		3HEA801651-001	Gear rack	1 m
1		3HEA801651-002	Gear rack	0.5 m

This page is intentionally left blank

4 Mechanical stop material set

Illustration



Spare part list

Item	Quantity	Part number	Description	Dimension/Note
1	2	3HEA801660-001	Mechanical stop IRBT	Complete
2	2	3HEA801665-001	Rubber buffer	

This page is intentionally left blank

5 Serial measurement unit

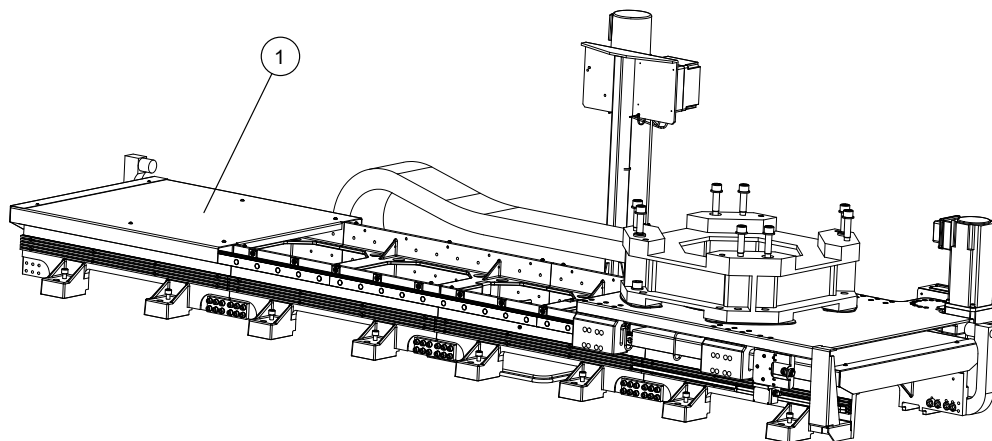
Spare part list

Item	Quantity	Part number	Description	Dimension/Note
-	1	3HAC046686-003	SMB replacement set	
-	1	3HAC043904-001	SMB-board	RMU102
-	1	3HAC044075-001	Battery Pack RMU	Battery Pack RMU

This page is intentionally left blank

6 Covers

Illustration



Spare part list

Item	Quantity	Part number	Description	Color	Dimension/Note
1	1	3HEA802136-001	Top cover	ABB Orange	
1	1	3HAC050065-001	Top cover	Dark grey	

This page is intentionally left blank

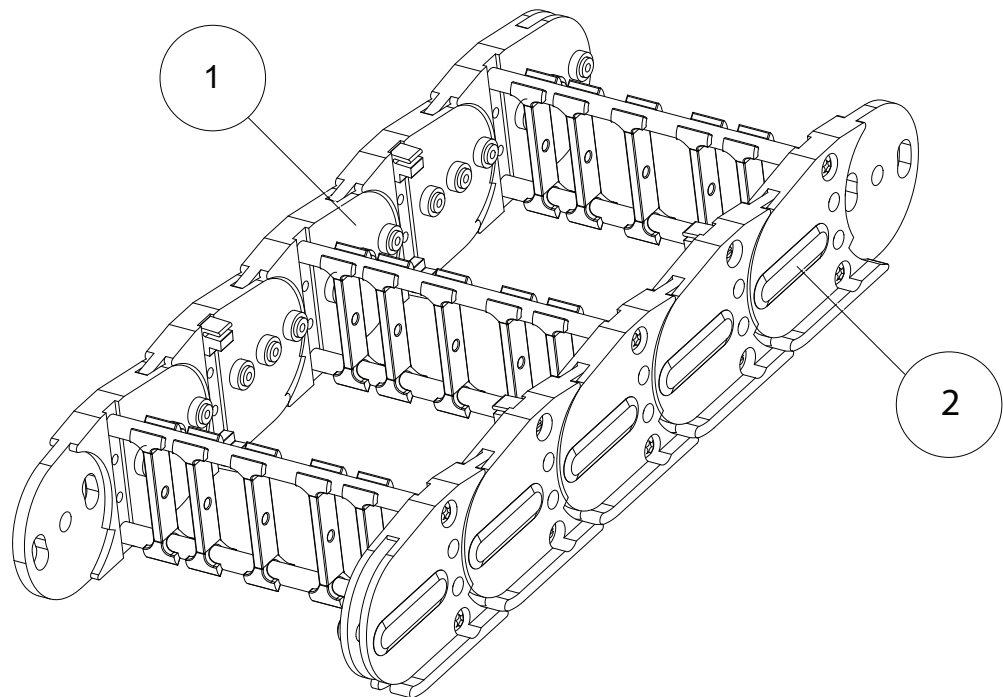
7 Cable chain Brevetti

Different designs of the cable chain

The two different designs of the cable chain, Brevetti and Murrplastik, are not compatible with each other. The cable trays are designed to fit each cable chain. Order the correct spare part, in regard to what is installed on the track motion. (Information available in Web Config via ABB.)

Illustration

Cable chain Brevetti



xx2300001076

Spare part list

Cable chain Brevetti

Item	Quantity	Part number	Description	Dimension/Note
1		3HEA802778-001	Cable chain part 5 links	Plastic
		3HEA802779-001	Cable chain part 10 links	Plastic
2		3HEA802305-001	Plug	

This page is intentionally left blank

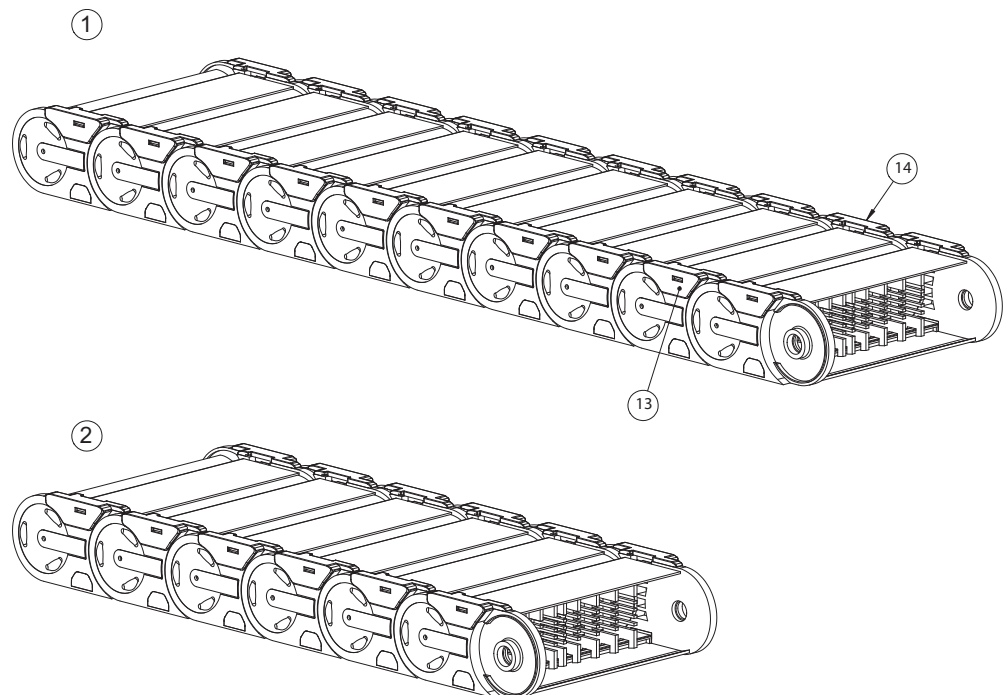
8 Cable chain Murrplastik

Different designs of the cable chain

The two different designs of the cable chain, Brevetti and Murrplastik, are not compatible with each other. The cable trays are designed to fit each cable chain. Order the correct spare part, in regard to what is installed on the track motion. (Information available in Web Config via ABB.)

Illustration

Cable chain Murrplastik



xx1300001028

Spare part list

Cable chain Murrplastik

Item	Part number	Description	Dimension/Note
1	3HAC045102-001	Cable chain plastic with 10 links	Width: 246 mm.
2	3HAC045103-001	Cable chain plastic with 6 links	Width: 246 mm.
13	3HAC045660-001	Gliding shoe, left	
14	3HAC045661-001	Gliding shoe, right	

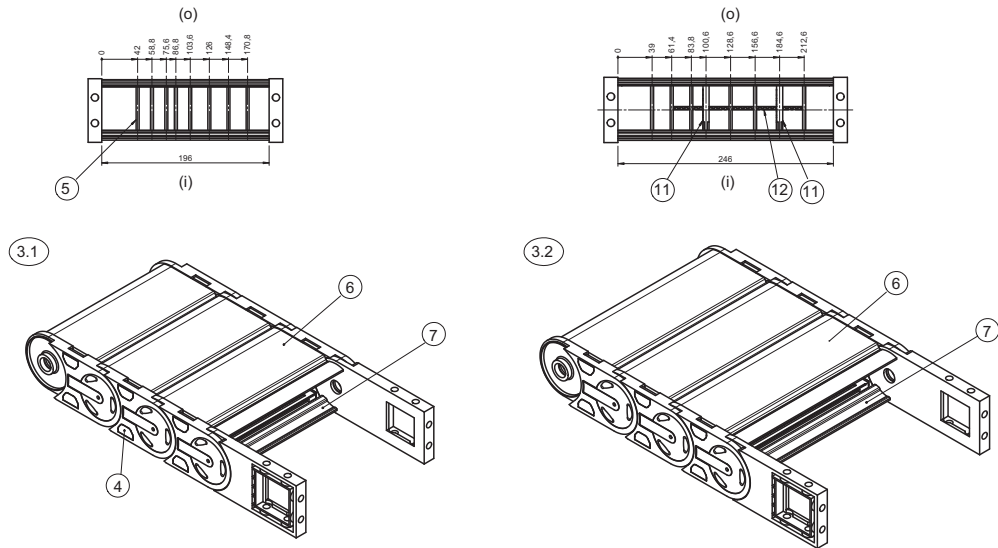
Continues on next page

8 Cable chain Murrplastik

Continued

Illustration

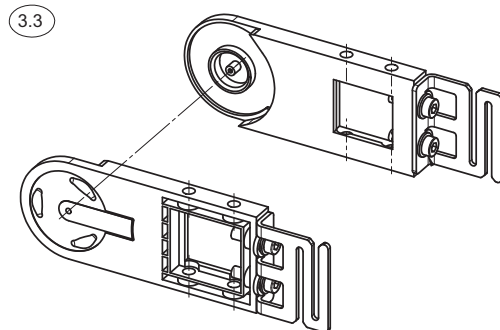
Moving end bracket of cable chain Murrplastik



xx1300002147

(i)	Inside bend
(o)	outside bend

Fixed end bracket of cable chain Murrplastik



xx1300002148

Spare part list

Moving and fixed end brackets of cable chain Murrplastik

Item	Part number	Description	Dimension/Note
3.1	3HAC045108-001	Complete bracket plastic, moving end (Content according to figure.)	For width: 196 mm
3.2	3HAC045110-001	Complete bracket plastic, moving end (Content according to figure.)	For width: 246 mm
3.3	3HAC045109-001	Bracket plastic, fixed end	
4	3HAC045655-001	Cover	
5	3HAC045656-001	Divider, vertical	

Continues on next page

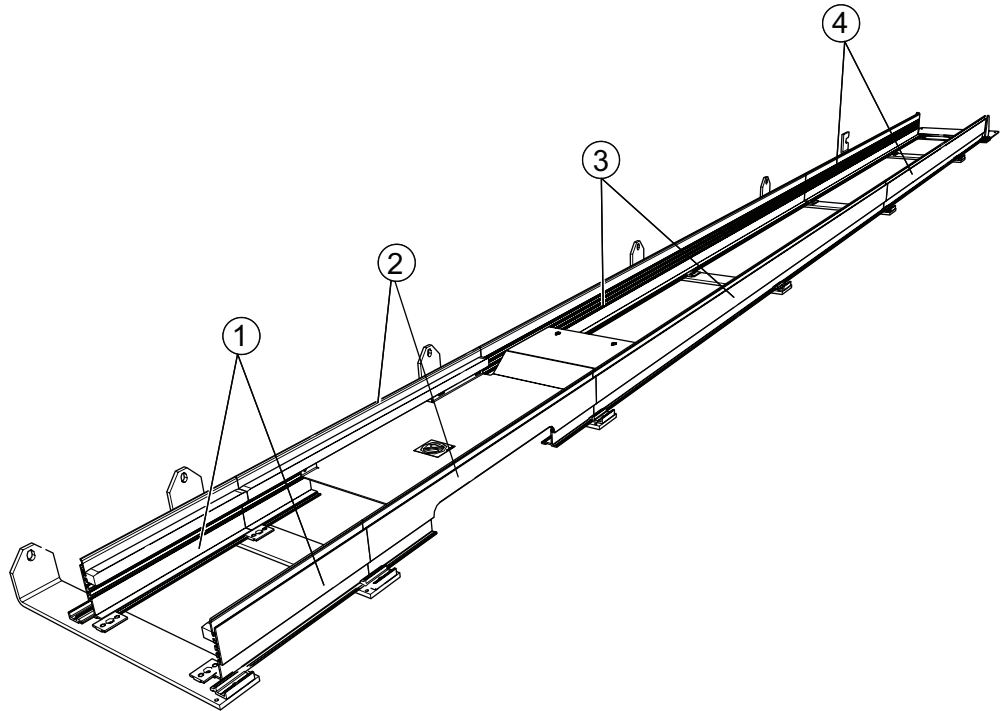
Item	Part number	Description	Dimension/Note
6	3HAC045658-001	Cover, outside	For width: 196 mm
	3HAC045746-001	Cover, outside	For width: 246 mm
7	3HAC045659-001	Cover, inside	For width: 196 mm
	3HAC045747-001	Cover, inside	For width: 246 mm
11	3HAC045744-001	Shelf support, with lid	For width: 246 mm
12	3HAC045745-001	Shelf support 168-5mm	For width: 246 mm

This page is intentionally left blank

9 Cable tray for cable chain Murrplastik

Spare part list

Aluminium profiles



xx170000976

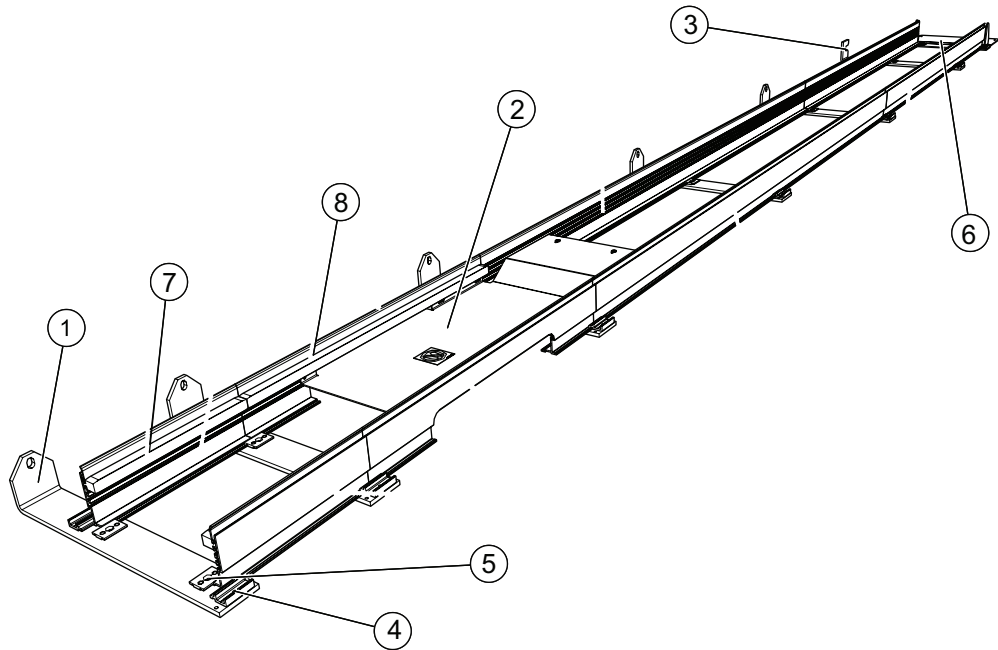
Item	Description	Part number	Dimension/Note
1	Aluminium profile, cable tray IRBT	3HAC045164-001	Length: 300 mm
2	Aluminium profile, cable tray IRBT	3HAC045176-001	Length: 700 mm
3	Aluminium profile, cable tray IRBT	3HAC045164-005	Length: 2,000 mm
4	Aluminium profile, cable tray IRBT	3HAC045164-004	Length: 1,500 mm
-	Aluminium profile, cable tray IRBT Available for purchase but not included in the configuration shown in the spare part illustration.	3HAC045164-002	Length: 1,000 mm
		3HAC045164-003	Length: 1,300 mm

Continues on next page

9 Cable tray for cable chain Murrplastik

Continued

Brackets, plates, clamping profiles and gliding bars



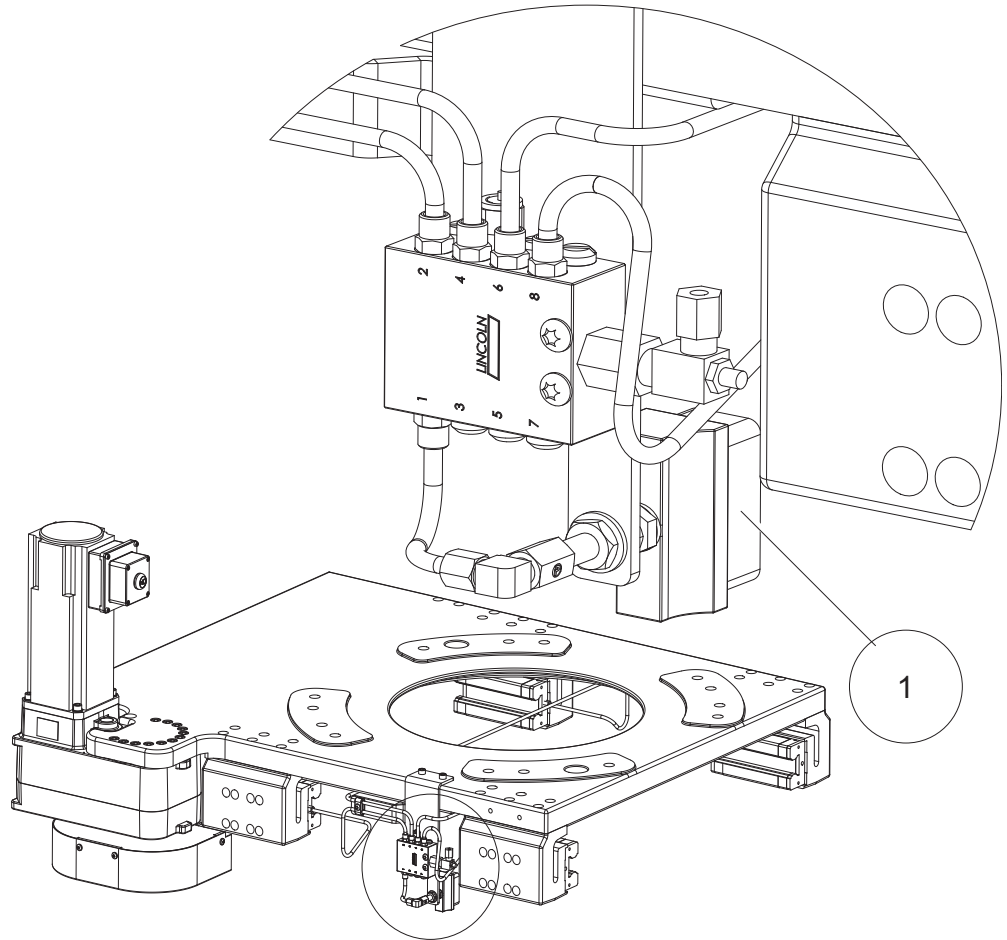
xx1300002146

Item	Description	Part number	Dimension/Note
1	Bracket for cable tray	3HAC044761-001	For width: 246 mm
2	Protection plate	3HAC054525-001	
3	End bracket for cable tray	3HAC044762-001	For width: 246 mm
4	Clamping profile	3HAC045487-001	
5	Clamping profile plastic	3HAC045180-001	
6	Support plate cable tray	3HAC045027-001	For width: 246 mm
7	Gliding bar IRBT	3HAC045179-004	Length: 300 mm
8	Gliding bar IRBT	3HAC045179-001	Length: 700 mm
-	Gliding bar IRBT Available for purchase but not included in the configuration shown in the spare part illustration.	3HAC045179-002	Length: 1,000 mm
		3HAC045179-003	Length: 2,000 mm
		3HAC045179-005	Length: 1,300 mm

10 Automatic lubrication system

10.1 Lubrication system, local adaption, including oil brush

Illustration



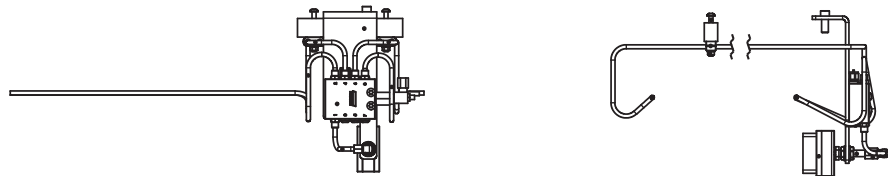
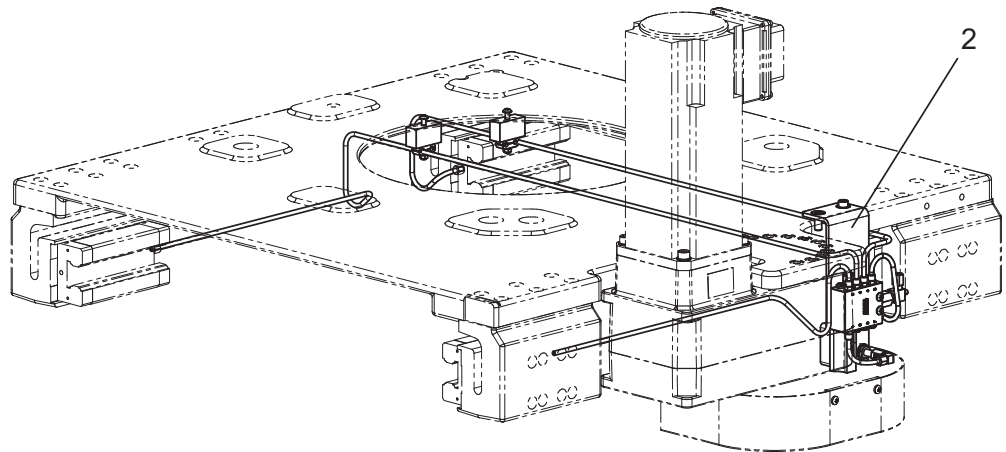
xx110000934

Continues on next page

10 Automatic lubrication system

10.1 Lubrication system, local adaption, including oil brush

Continued



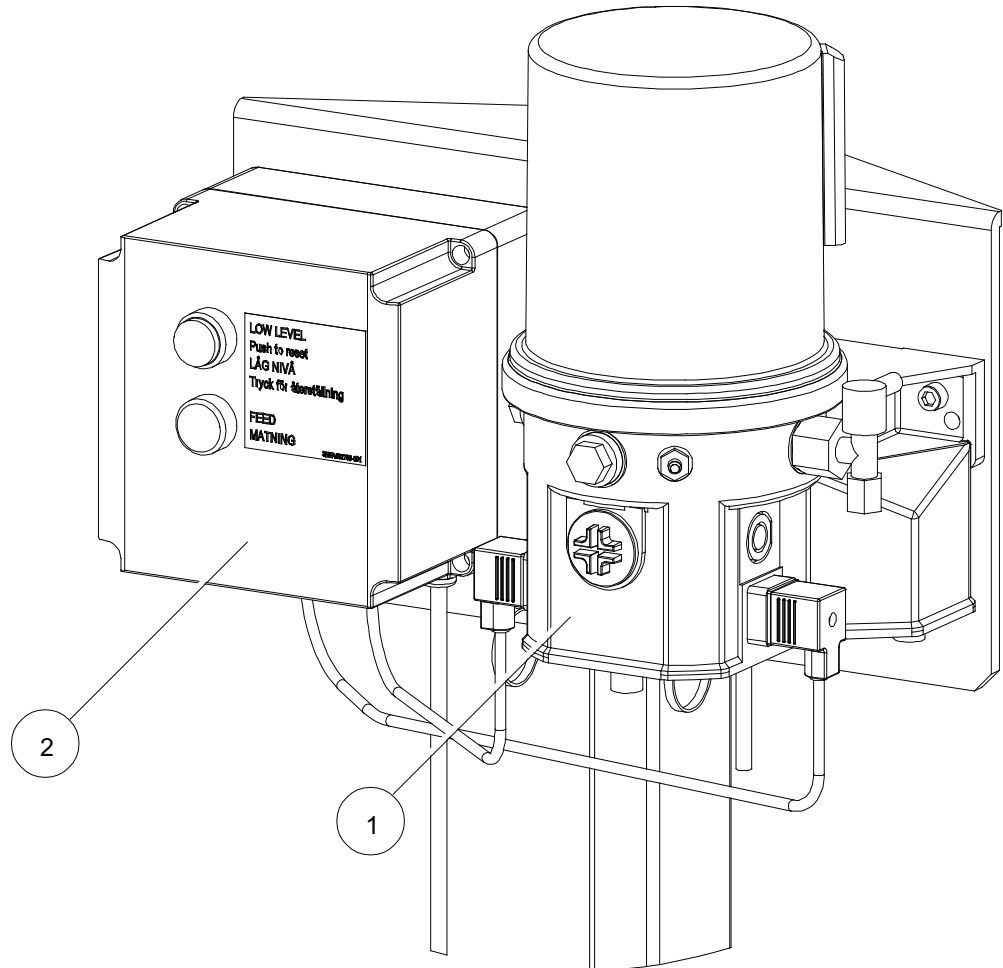
xx1300000802

Spare part list


Item	Quantity	Part number	Description	Dimension/Note
1	1	3HXG1000-562	Oil brush	
2	1	3HEA802674-001	Lubrication system, local adaption IRBT 4004	Includes oil brush, brush holder, hydraulic tubes, screws, washers etc. Does not include pump or control unit.
		3HEA802673-003	Lubrication system, local adaption IRBT 6004/7004	

10.2 Lubrication system, central, including control unit for grease pump

Illustration



Spare part list

Item	Quantity	Part number	Description	Dimension/Note
-	1	3HAC032577-002	Lubrication system, central	Complete assembly. Includes pump, control unit, grease, frame and screws.
1	1	3HEA802824-001	Pump	
2	1	3HEA802798-001	Control unit grease pump	
-	1	3HAC045131-001	Printed circuit board	Integrated in the housing
-	2	3HAC056386-001	Fuse	 Note Only for Control unit grease pump marked rev.05 or later.
-	-	3HAC078419-001	Grease CERAN CA	400 ml
-	-	3HAC078419-002	Grease CERAN CA	18 kg

10 Automatic lubrication system

10.3 Lubrication system, hydraulic hoses

10.3 Lubrication system, hydraulic hoses

Spare part list

The hydraulic hoses listed can be used both as fixed hoses from the automatic lubrication system control panel to the control plate underneath the track, and as flexible hoses running in the cable chain from the control plate to the grease distribution block. The dimension of the hoses is \varnothing 6.3 x 11.3 mm.

Total length of the hydraulic hose, measured from the automatic lubrication system control panel to the grease distribution block should not exceed 30 m.

Part number	Description	Dimension/Note
3HAC049534-006	Hydraulic hose	6 m
3HAC049534-007	Hydraulic hose	7 m
3HAC049534-008	Hydraulic hose	8 m
3HAC049534-009	Hydraulic hose	9 m
3HAC049534-010	Hydraulic hose	10 m
3HAC049534-011	Hydraulic hose	11 m
3HAC049534-012	Hydraulic hose	12 m
3HAC049534-013	Hydraulic hose	13 m
3HAC049534-014	Hydraulic hose	14 m
3HAC049534-015	Hydraulic hose	15 m

11 Cabling

11.1 Flexible cables

Cable lengths

Flexible cables are mounted in the cable chain of the track motion. The tables show the cable lengths required for different connections with different travel lengths.

The cables are divided into following tables:

- IRB Power cables: handles power supply to the motors of the robot.
- IRBT Power cables: handles power supply to the motor of the track motion.
- IRB/IRBT Signal cables: handles feedback from the serial measurement board.
- Position switch cables: handles supply to and feedback from position switches, if any.
- Customer cables: handles communication with equipment fitted on robot.

IRB Power cables, flexible

Travel length (m)	Cable length (m)	IRB 6600/6620/6640/6650S/7600/4600/6700 3HAC033548-	IRB 4400 3HEA802211-	IRB 4400 F 3HEA802219-
2	7	002	002	002
3-4	8	003	003	003
5-6	9	004	004	004
7-8	10	005	005	005
9-10	11	006	006	006
11-12	12	007	007	007
13-14	13	008	008	008
15-16	14	009	009	009
17-18	15	010	010	010
19-20	16	011	011	011
19-20	17 ⁱ	017	-	-

ⁱ Used for a riser equipped mirrored or double track motion for IRB 6700 and IRB 7600.



Note

Riser equipped mirrored or double track motions for IRB 6700 and IRB 7600 require extra cable length of 1 m in the fixed end to achieve a recommended bending radius.

Start with choosing a cable length based on travel length, then order the cable that is 1 m longer.

Continues on next page

11 Cabling

11.1 Flexible cables

Continued

IRBT Power cables, flexible

Travel length (m)	Cable length (m)	Motor of track motion		Motor of track motion + 8th axis	
		3HEA802403- i	3HAC079379- ii	3HEA802835- i	3HAC079389- ii
2	7	002	012	002	012
3-4	8	003	013	003	013
5-6	9	004	014	004	014
7-8	10	005	015	005	015
9-10	11	006	016	006	016
11-12	12	007	017	007	017
13-14	13	008	018	008	018
15-16	14	009	019	009	019
17-18	15	010	020	010	020
19-20	16	011	021	011	021

i Valid for motor 3HEA802988-001 (version not marked with "A").

ii Valid for motor 3HAC045791-003 (Type A version, marked with "A").

IRB / IRBT Signal cables, flexible

Travel length (m)	Cable length (m)	IRB 4400/4400F/6600/6620 IRB 6640/6650S/7600 3HEA802409-	IRB 4600/6700 3HAC029834-
2	7	002	002
3-4	8	003	003
5-6	9	004	004
7-8	10	005	005
9-10	11	006	006
11-12	12	007	007
13-14	13	008	008
15-16	14	009	009
17-18	15	010	010
19-20	16	011	011

IRB Position switch cables, flexible

Only available for old versions.

Travel length (m)	Cable length (m)	Position switch axis 1 IRB 6600/7600/6640 3HXD1638-	Position switch axis 1 IRB 4400/4400F 3HXD1433-	Position switch axis 2 IRB 6600/7600/6640 3HXD1691-
2	6	60	60	60
3-4	7	70	70	70
5-6	8	80	90	80
7-8	9	90	100	90
9-10	10	100	110	100

Continues on next page

Travel length (m)	Cable length (m)	Position switch axis 1 IRB 6600/7600/6640 3HXD1638-	Position switch axis 1 IRB 4400/4400F 3HXD1433-	Position switch axis 2 IRB 6600/7600/6640 3HXD1691-
11-12	11	110	120	110
13-14	12	120	130	120
15-16	13	130	140	130
17-18	14	140	150	140
19-20	15	150	160	150

Customer cables IRB 4600/6600/6620/6640/6650S/7600, flexible

Travel length (m)	Cable length (m)	Cable CP/CS Parallel 3HEA801277-	Cable CP/CS Interbus ⁱ 3HEA801278-	Cable CP/CS ProfiBus 3HEA801280-	Cable CP/CS CanBus 3HEA801279-	Ethernet ⁱⁱ 3HAC032951-	Functional ground cable ^{iii iv} 3HAC060756-
2	7	003	003	003	003	002	007
3-4	8	004	004	004	004	003	008
5-6	9	005	005	005	005	004	009
7-8	10	006	006	006	006	005	010
9-10	11	007	007	007	007	006	011
11-12	12	009	008	008	009	007	012
13-14	13	010	009	009	010	008	013
15-16	14	011	010	010	011	009	014
17-18	15	012	011	011	012	010	015
19-20	16	013	012	012	013	011	016

ⁱ Only available for old versions.

ⁱⁱ Requires installation of functional ground cable.

ⁱⁱⁱ Required for option CP/CS Ethernet (1014-6).

^{iv} If the functional ground cable has not been installed on the track motion cable chain previously, the customer connection plate also needs to be updated. See [Customer connection plate on page 40](#).

Customer cables IRB 4400/4400F, flexible

Travel length (m)	Cable length (m)	Cable CP/CS IRB 4400 3HXD1296-	Cable CP/CS IRB 4400F 3HXD1486-
2	7	70	70
3-4	8	80	80
5-6	9	90	90
7-8	10	100	100
9-10	11	110	110
11-12	12	120	120
13-14	13	130	130
15-16	14	140	140
17-18	15	150	150

Continues on next page

11 Cabling

11.1 Flexible cables

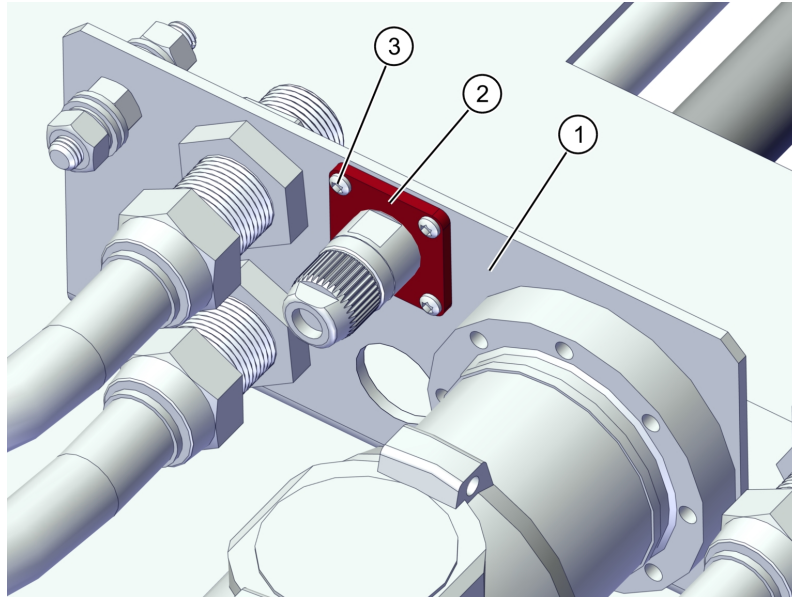
Continued

Travel length (m)	Cable length (m)	Cable CP/CS IRB 4400 3HXD1296-	Cable CP/CS IRB 4400F 3HXD1486-
19-20	16	160	160

IRB Weld / Split box cables, flexible

Travel length (m)	Cable length (m)	TG Weld 3HXD1474-	Split box 3HXD1633-
2	7	70	70
3-4	8	80	80
5-6	9	90	90
7-8	10	100	100
9-10	11	110	110
11-12	12	120	120
13-14	13	130	130
15-16	14	140	140
17-18	15	150	150
19-20	16	160	160

Customer connection plate



xx1900002006

Item	Part number	Description	Dimension/Note
1	3HAC079958-001	Bracket for TG cable	Includes connection for functional ground cable.
2	3HAC033751-001	Bracket, Profinet	
3	9ADA618-23	Torx pan head screw (4 pcs)	M3x8

11.2 Fixed cables

Overview

Fixed cables are connected between the control equipment and the track motion. The tables specify cables for the track motion. As for the manipulator cables, same cables are used as when connecting the manipulator directly to the control equipment. Further information about the manipulator cables are found in the Product manual for the manipulator.

IRBT Power cables

Cable length (m)	All IRBT XP7-J1.XS7 3HEA802402-
7	001
15	002
22	003
30	004

IRBT Signal cables

Cable length (m)	All Control Cable Signal
7	3HAC068917-001
15	3HAC068918-001
22	3HAC068919-001



Note

The signal cables listed above are as default used between connector XS2 on the cabinet and R1.SMB on the manipulator and are therefor labeled and keyed accordingly.

In order to avoid a mix-up of cables when using them for the track motion, the label and the keying pin can be changed according to the keying instruction enclosed with the spare part.



ABB AB

Robotics & Discrete Automation

S-721 68 VÄSTERÅS, Sweden

Telephone +46 10-732 50 00

ABB AS

Robotics & Discrete Automation

Nordlysvegen 7, N-4340 BRYNE, Norway

Box 265, N-4349 BRYNE, Norway

Telephone: +47 22 87 2000

ABB Engineering (Shanghai) Ltd.

Robotics & Discrete Automation

No. 4528 Kangxin Highway

PuDong New District

SHANGHAI 201319, China

Telephone: +86 21 6105 6666

ABB Inc.

Robotics & Discrete Automation

1250 Brown Road

Auburn Hills, MI 48326

USA

Telephone: +1 248 391 9000

abb.com/robotics